

PLEASE CHECK WWW.MOLEX.COM FOR LATEST PART INFORMATION

Part Number: [0351803409](#)
Status: **Active**
Description: 1.78mm (.070") Tab Multiple Wire-to-Wire Male Housing With Ear, 4 Circuits, Vertical, Polyester Carbonate, UL94V-0, Yellow, Glow Wire Compatible

Documents:

[Drawing \(PDF\)](#) [RoHS Certificate of Compliance \(PDF\)](#)
[Product Specification PS-35180-002 \(PDF\)](#)

Agency Certification

CSA LR19980
 UL E29179

General

Product Family Crimp Housings
 Series [35180](#)
 Comments Polarized to Mating Part
 Product Name N/A

Physical

Breakaway No
 Circuits (maximum) 4
 Color - Resin Yellow
 Flammability 94V-0
 Gender Male
 Glow-Wire Compliant Yes
 Keying to Mating Part None
 Lock to Mating Part Yes
 Material - Resin Polyester Alloy
 Number of Rows 2
 Packaging Type Bag
 Panel Mount Yes
 Pitch - Mating Interface (in) 0.343 In
 Pitch - Mating Interface (mm) 8.70 mm
 Pitch - Term. Interface (in) 0.343 In
 Pitch - Term. Interface (mm) 8.70 mm
 Polarized to Mating Part Yes
 Ports 3
 Stackable No
 Temperature Range - Operating -40°C to +120°C

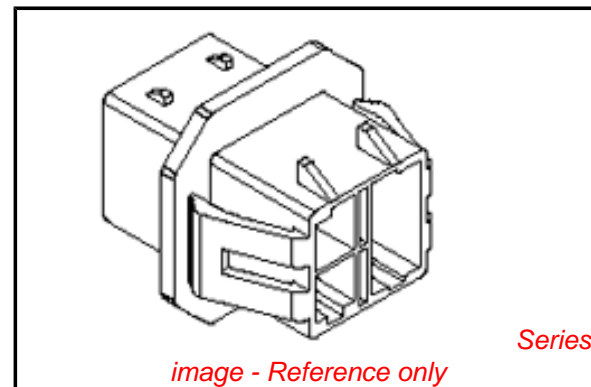
Electrical

Current - Maximum per Contact 10A, 15A, 4A, 5A, 7A

Material Info

Reference - Drawing Numbers

Product Specification PS-35180-002
 Sales Drawing SD-35180-040*



EU RoHS

**ELV and RoHS
 Compliant**
REACH SVHC
 Not Reviewed
**Halogen-Free
 Status**
Not Reviewed

China RoHS



**Need more information on product
 environmental compliance?**

Email productcompliance@molex.com
 For a multiple part number RoHS Certificate of
 Compliance, [click here](#)

Please visit the [Contact Us](#) section for any
 non-product compliance questions.

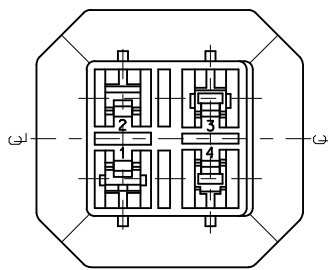
Search Parts in this Series

[35180Series](#)

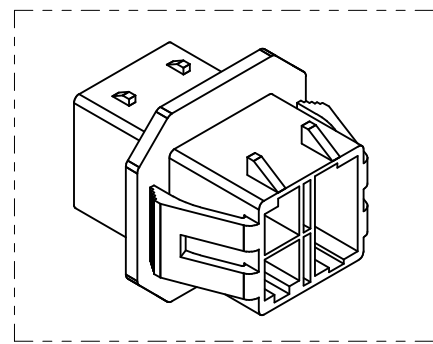
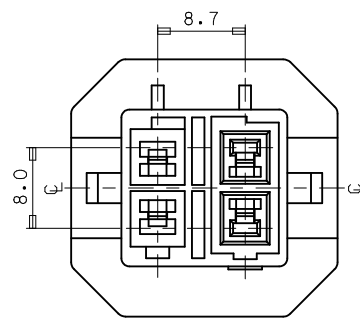
Mates With

Use With

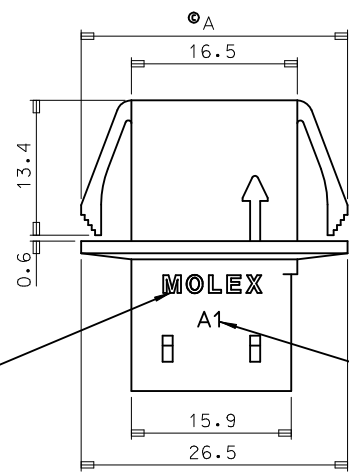
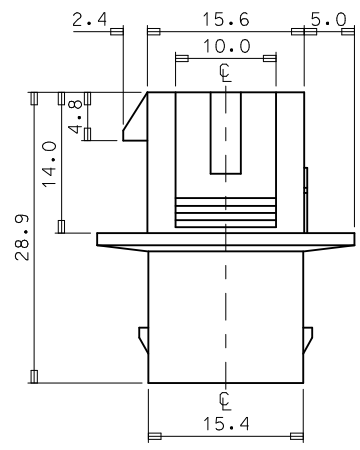
[35745](#) Crimp Terminal, [35746](#) Crimp
 Terminal, [35747](#) Crimp Terminal, [35748](#)
 Crimp Terminal



VIEW "A"



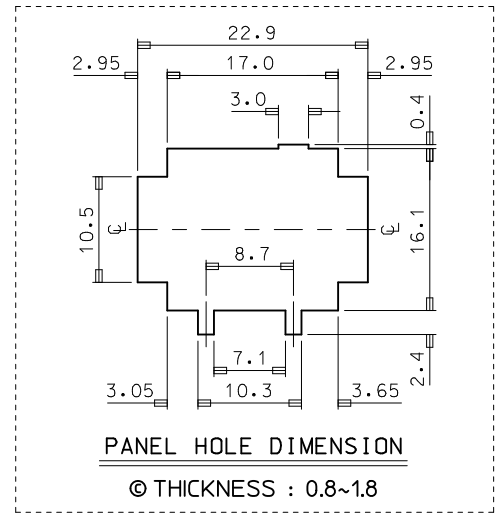
- NOTES.
1. MATERIAL & COLOR : SEE TABLE
 2. MATED HOUSING : 35181-020*, 35965-020*/920*
35181-021*, 35965-021*/921*
 3. APPLICABLE TERMINAL : 35745-0*10 (1 CIRCUIT)
35746-0*10 (3 CIRCUIT)
35747-0*10 (2 CIRCUIT)
35748-0*10 (4 CIRCUIT)
 4. APPLICABLE T.P.A : 35181-029*
 5. PRODUCT SPECIFICATION : PS-35180-002



TRADE MARK

©TOOL & CAVITY NO
(TOOL:A,B..CAV:1,2..)

VIEW "A"



| NO | PRODUCT | | MATERIAL | | DIMENSION ①(A) |
|----|------------|-------------|----------|---------------------|-------------------|
| | PART NO | MATERIAL NO | COLOR | DESCRIPTION | |
| 1 | 35180-0400 | 351800400 | NATURAL | PBT (UL94V-0) | 26.2 |
| 2 | 35180-0404 | 351800404 | BLUE | | |
| 3 | 35180-0409 | 351800409 | NATURAL | PC/PET (UL94V-0) | 26.5 |
| 4 | 35180-3409 | 351803409 | YELLOW | | |
| 5 | 35180-4409 | 351804409 | BLUE | | |

| | | |
|---------------------|-------------|-----------------|
| REVISED | DESCRIPTION | QUALITY SYMBOLS |
| EC NO: KOR2010-009Z | 2010/01/14 | ▽=0 |
| DRWN: JHPARK01 | 2010/01/14 | ▽=0 |
| CHKD: MY YANG | 2010/01/14 | |
| APPR: YUNSIKKIM | 2010/01/14 | |

| GENERAL TOLERANCES (UNLESS SPECIFIED) | |
|--|-----------|
| | mm INCH |
| 4 PLACES ± | --- ± --- |
| 3 PLACES ± | --- ± --- |
| 2 PLACES ± | --- ± --- |
| 1 PLACE ± | 0.3 ± --- |
| ANGULAR ± 1° | |
| DRAFT WHERE APPLICABLE MUST REMAIN WITHIN DIMENSIONS | |

| | | | | |
|---|------|---|------------------------|---------------------------|
| DIMENSION STYLE MM ONLY | | SCALE 2:1 | DESIGN UNITS METRIC | THIRD ANGLE PROJECTION |
| DRAWN BY JS.KANG | DATE | TITLE .070 MULTI W/W CONN MALE HSG-4P | | |
| CHECKED BY | DATE | APPROVED BY | | |
| MATERIAL NO. SEE TABLE | | DOCUMENT NO. SD-35180-040* | | SHEET NO. 1 OF 01 |
| THIS DRAWING CONTAINS INFORMATION THAT IS PROPRIETARY TO MOLEX INCORPORATED AND SHOULD NOT BE USED WITHOUT WRITTEN PERMISSION | | | | |